



PLANAR ep55L

The Planar ep55L is a 55" professional LCD display using edge-lit LED backlight technology. The Planar ep55L features full HD resolution (1920x1080) in an ultra-thin, lightweight design that provides superior energy efficiency for demanding 24x7 applications. Additional features of the Planar ep55L include ambient light control, industrial metal bezel for durability, wide range of source compatibility and connectivity and optional touch screen. The Planar ep55L's logo-free design supports either portrait or landscape orientation that can be customized to suit any digital signage or control room application.



FEATURES

Ultra-thin design
60-70% thinner than CCFL

Lightweight for easy installation
Eco-friendly LED technology
Low power, mercury-free

Superior image quality and brightness
Full HD resolution with
120Hz panel refresh rate and
600 nits of brightness

Rugged and reliable
Built and designed for commercial
applications operating up to 24x7

Logo-free with customizable bezel options
Optional EP Select™ color &
logo applications

Touch interactivity
Optional fully integrated dual touch

PLANAR ep55L

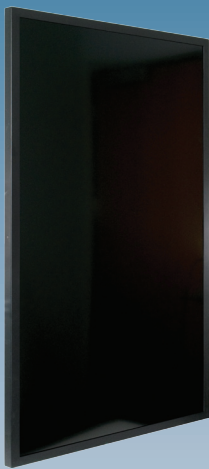
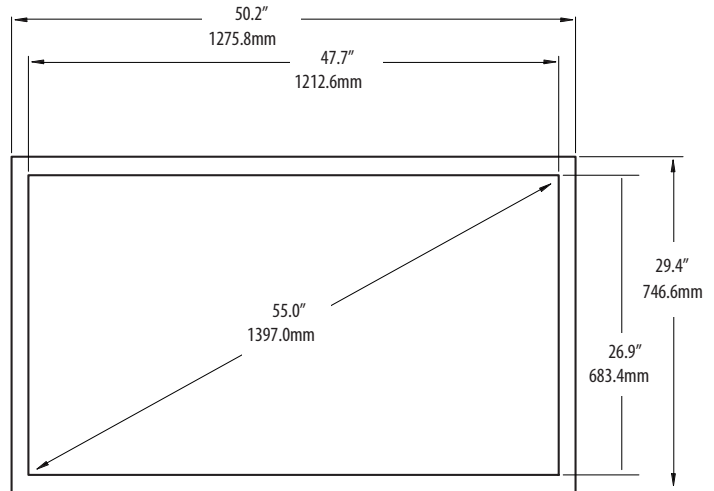
	Standard	Touch Landscape	Touch Portrait
Cabinet dimensions (WxHxD)			
Without optional SDI Card	50.2" x 29.4" x 1.8" (127.6cm x 74.7cm x 4.6cm)	50.2" x 29.4" x 2.4" (127.6cm x 74.7cm x 6.2cm)	29.4" x 50.2" x 2.4" (74.7cm x 127.6cm x 6.2cm)
With optional SDI card	50.2" x 29.4" x 2.7" (127.6cm x 74.7cm x 6.9cm)	50.2" x 29.4" x 3.3" (127.6cm x 74.7cm x 8.4cm)	29.4" x 50.2" x 3.3" (74.7cm x 127.6cm x 8.4cm)
Orientation	Landscape, Portrait	Landscape	Portrait
Product weight**	66 lbs (30 kg)	88 lbs (40 kg)	
Shipment weight***	84 lbs (38 kg)	106 lbs (48 kg)	
Touch technology	N/A	Optical Dual Touch	
Touch interface	N/A	USB	
OS compatibility	N/A	Windows 7, Vista, XP, Mac OSX and Linux	
Display resolution	FHD 1080p (1920 x 1080)		
Aspect ratio (W:H)	16:9		
Display technology	Edge-lit LED LCD		
Screen dimensions			
Diagonal	55" (139.7 cm)		
Width by height	47.6"x26.8" (121.0 cm x 68.0cm)		
Bezel width	1.2" (3.1 cm)		
Screen brightness (typical)	600 cd/m ²		
Response time (typical)	10 ms		
Frame rate	120Hz		
Contrast ratio (full field)	4000:1		
Full viewing angle	178°		
Color gamut	72% NTSC		
Backlight type	Edge-Lit LED		
Line voltage	100-240V; 50/60Hz		
Power consumption	225 W (Max)		
Standby consumption	< 1 W with Ethernet enabled; < 3 W without Ethernet enabled		
Operating temperature range	5-40°C (41-104°F)		
Operating humidity range	20-80% RH non-condensing		
Safety regulations	FCC Class A, EN60950, CE		
Standard inputs	VGA x 1, HDMI x 2, DVI-D x 1, Displayport x1, Composite video (RCA) x 1, Component video (RCA) x 1, S-Video (Mini DIN) x 1		
Optional inputs	SDI In x 2 / SDI Out		
Audio input	PC Audio in (Jack)		
Audio output	R/L Line out (Jack)		
Display control	LAN RJ45, RS232 in, IR, Keypad (lockable)		
Speakers	10w x 2 built-in		
Auto brightness control	Ambient light sensor		
Enclosure	Metal, Industrial		
Mounting	400 x 400 mm VESA; 8 holes		
Backlight life (1/2 brightness)	50,000 hours		
Features	On/Off scheduling, Picture-in-Picture (PIP), TAA compliant		
Optional accessories	Flat wall mount, tilting wall mount, table stand		
Warranty	3 years Advance Exchange		
Bezel Color	Black, glossy white or custom		

**Weight and dimensions are approximate. Specifications and design are subject to change without notice. This product may be subject to export control regulations.

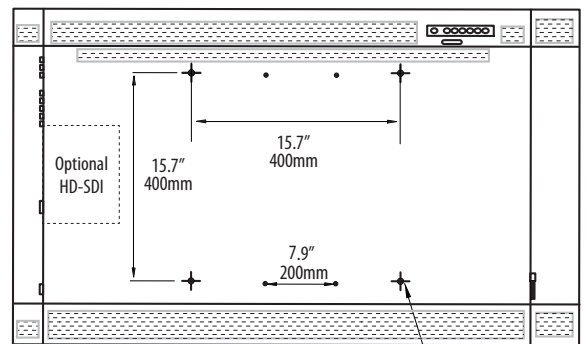
PLANAR ep55L



Front
All Models



Back
All Models



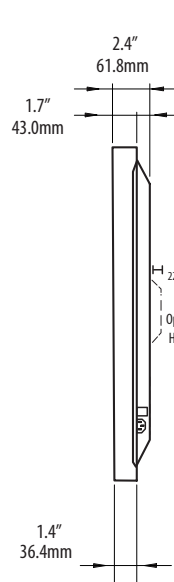
8X M8 THREADED INSERT

For more information

To learn more about the Planar ep55L by Planar Systems, call 503-748-1100 or visit www.planarcontrolroom.com or www.planardigitalsignage.com.



Side
Standard

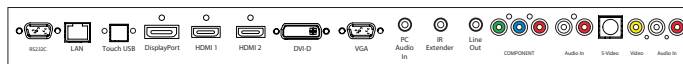


Side
Touch Landscape



Side
Touch Portrait

Standard inputs



Optional HD-SDI inputs



When image experience matters.

Planar Systems, Inc.
1195 NW Compton Drive
Beaverton, OR, 97006-1992, USA
Toll Free +1-866-475-2627
www.planar.com

Planar is a trademark of Planar Systems, Inc. All other trade and service marks are the property of their holders.

Copyright © 2011 Planar Systems, Inc. All rights reserved. This document may not be copied in any form without written permission from Planar Systems, Inc. Information in this document is subject to change without notice.